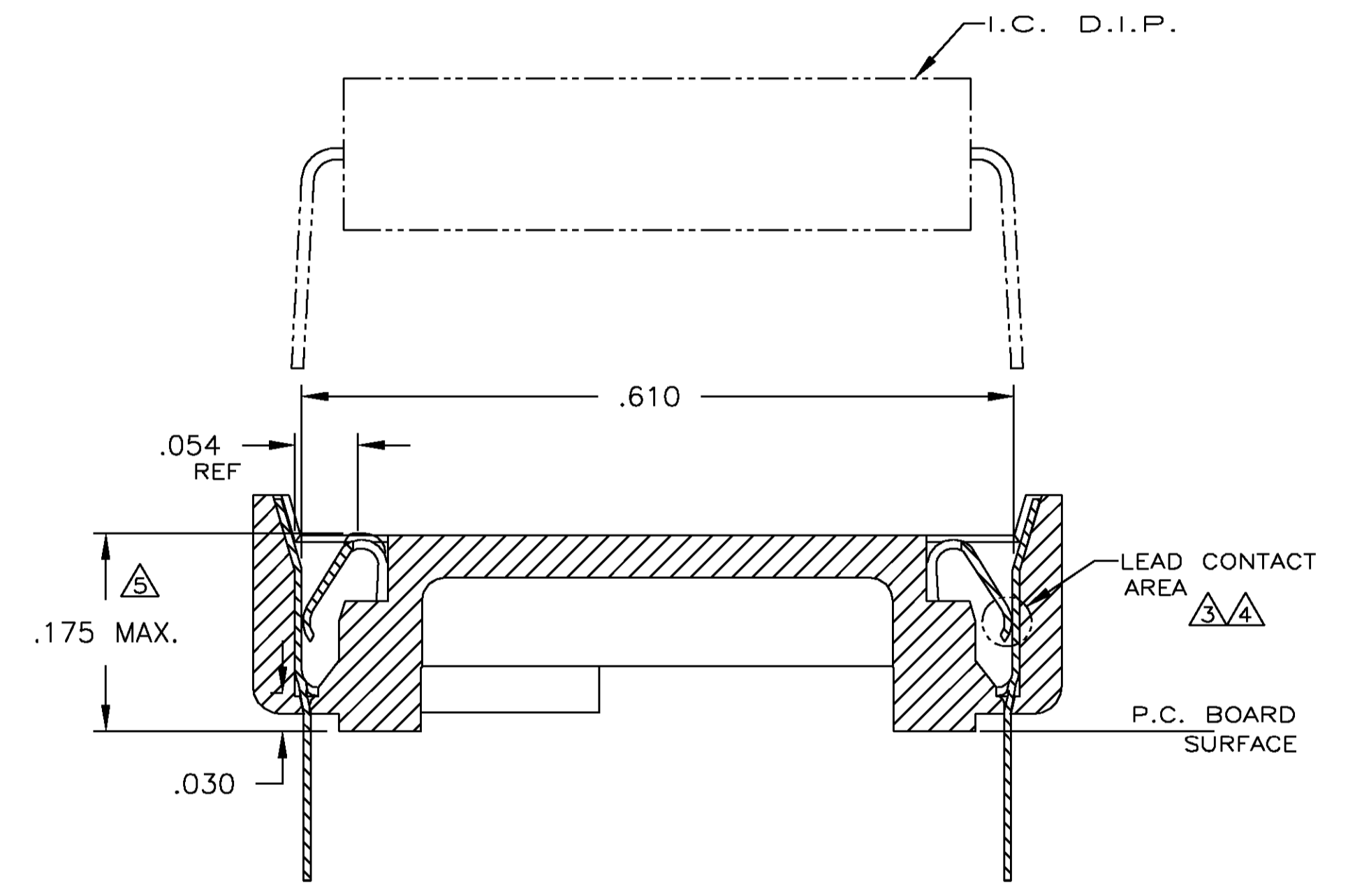
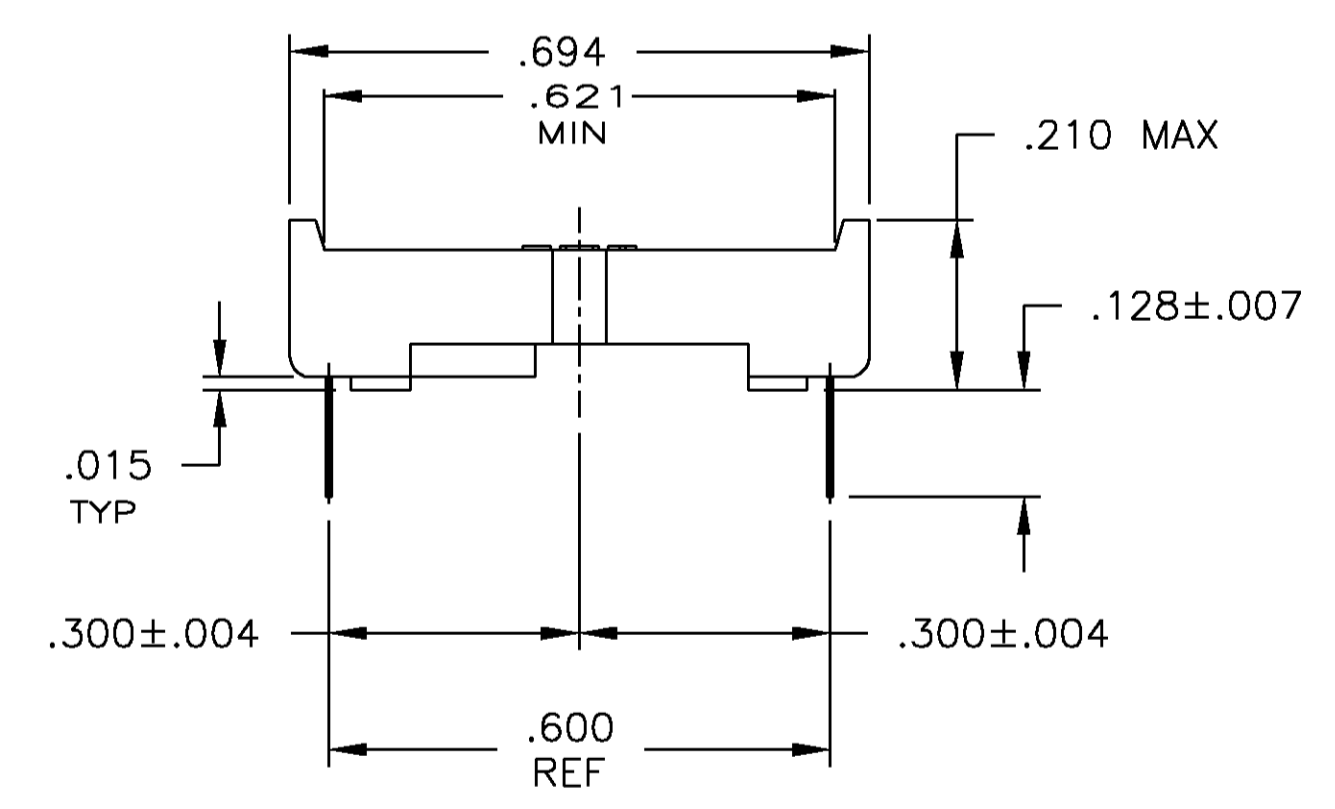
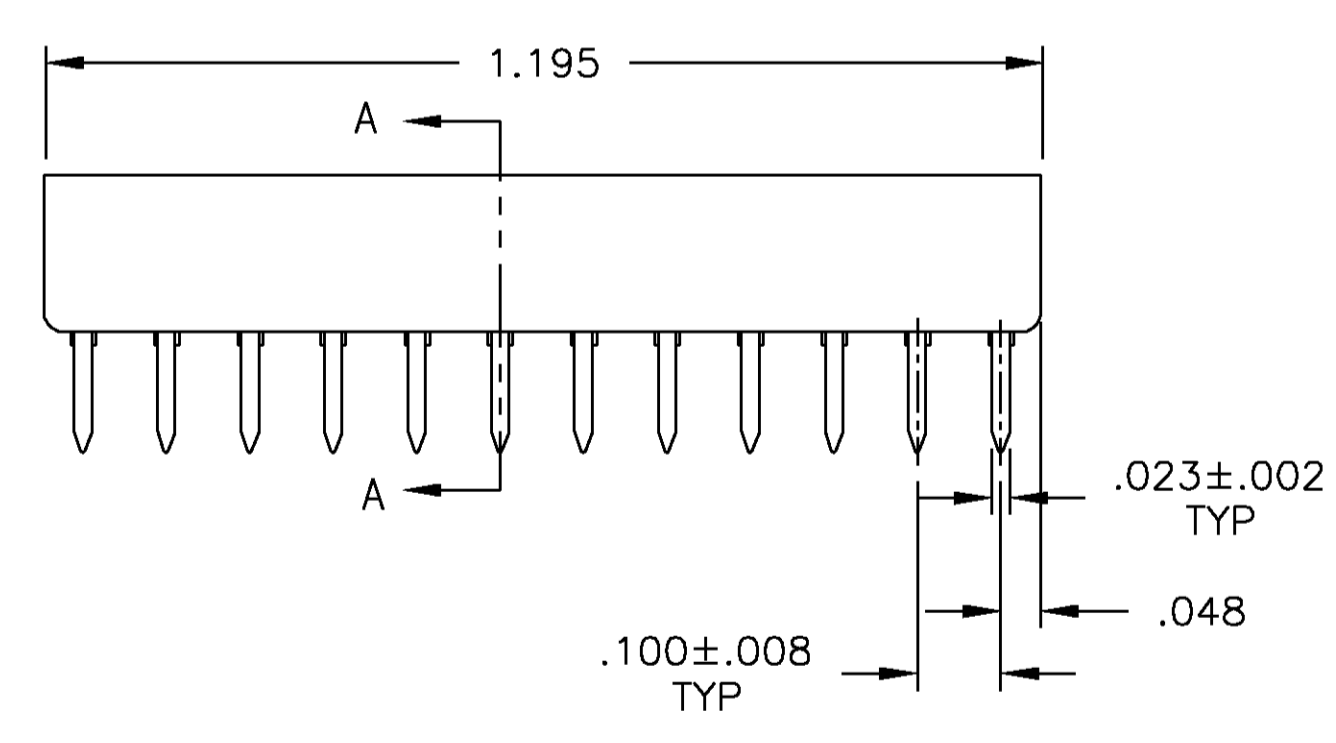
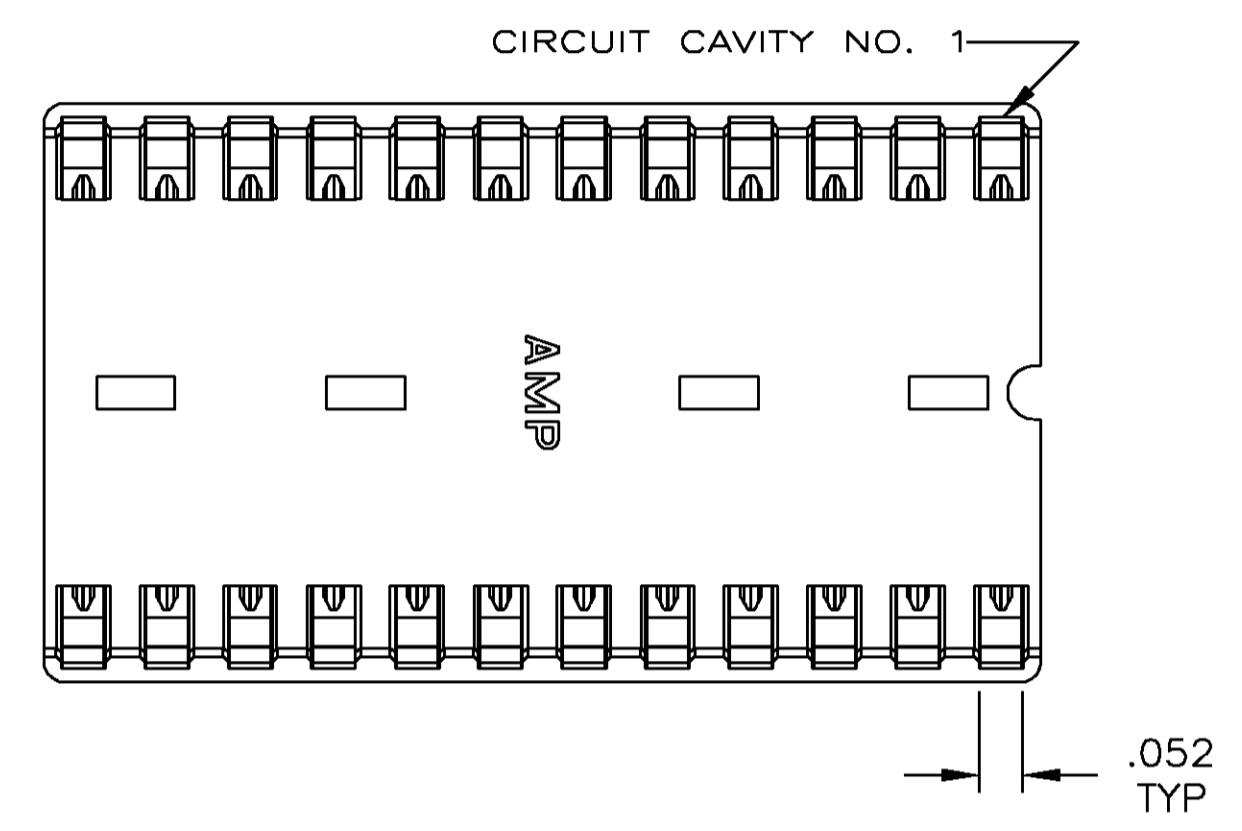


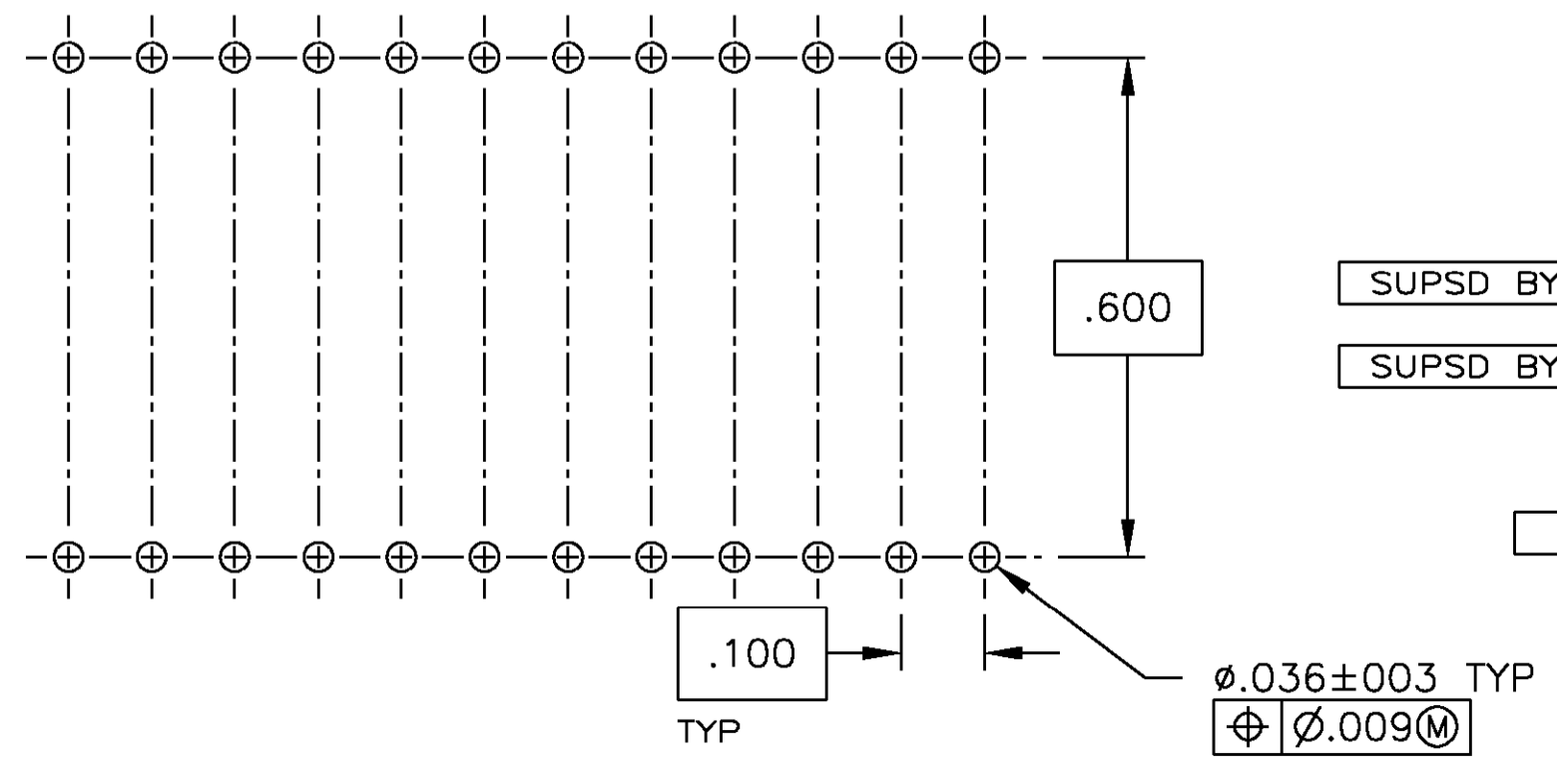
THIS DRAWING IS UNPUBLISHED. RELEASED FOR PUBLICATION
 © COPYRIGHT BY TYCO ELECTRONICS CORPORATION. ALL RIGHTS RESERVED.

LOC		DIST		REVISIONS			
P	LN	DESCRIPTION	DATE	BY	APPD		
AD	0	AB	REV PER 0G3C-0198-99	23AUG00	BH	HW	

- 1. RECEPTACLE ACCEPTS A .008-.014 THICK I.C. LEAD.
- ① TUBE LOADED FOR AUTOMATIC INSERTION.
- ② TWO .000030 MIN THK. GOLD STRIPES IN CONTACT AREA WITH TIN-LEAD (93/7) ON CONTACT LEGS, BALANCE OF CONTACT NICKEL PLATED.
- ③ TWO .000015 MIN THK. GOLD STRIPES IN CONTACT AREA WITH TIN-LEAD (93/7) ON CONTACT LEGS, BALANCE OF CONTACT NICKEL PLATED.
- ④ MAXIMUM DIMENSION FOR I.C. SEATING PLANE.



SECTION A-A
SCALE 10:1



RECOMMENDED MOUNTING HOLE PATTERN
SCALE 4:1

SUPSD BY	CONTACT FINISH	CONTACT MAT'L	HOUSING MATERIAL	PART NO.
SUPSD BY 390262-1	TINNED	PHOS.BRZ. .006 THK	GLASS-FILLED THERMOPLASTIC, 94V-0, BLACK	① 2-640361-4
SUPSD BY 390262-1	TINNED	BE.CU. .006 THK	GLASS-FILLED THERMOPLASTIC, 94V-0, BLACK	② 2-640361-3
	TINNED	PHOS.BRZ. .006 THK	GLASS-FILLED THERMOPLASTIC, 94V-0, BLACK	③ 2-640361-2
	TINNED	BE.CU. .006 THK	GLASS-FILLED THERMOPLASTIC, 94V-0, BLACK	④ 2-640361-1
	TINNED	PHOS.BRZ. .006 THK	GLASS-FILLED THERMOPLASTIC, 94V-0, BLACK	640361-4
	TINNED	BE.CU. .006 THK	GLASS-FILLED THERMOPLASTIC, 94V-0, BLACK	640361-3
	TINNED	PHOS.BRZ. .006 THK	GLASS-FILLED THERMOPLASTIC, 94V-0, BLACK	640361-2
	TINNED	BE.CU. .006 THK	GLASS-FILLED THERMOPLASTIC, 94V-0, BLACK	640361-1

THIS DRAWING IS A CONTROLLED DOCUMENT.		DATE	BY	NAME
		28 FEB 87	M. CYRUS	
		20 FEB 87	R. MILLER	
		28 FEB 87	J. LAMBERT	
DIMENSIONS:		TOLERANCES UNLESS OTHERWISE SPECIFIED:		
INCHES:	0 PLC	± .005		
	1 PLC	± .005		
	2 PLC	± .005		
	3 PLC	± .005		
	4 PLC	± .005		
	ANGLES	± .005		
MATERIAL	FINISH	SIZE	CAGE CODE	DRAWING NO
SEE TABLE	SEE TABLE	114-1049	A1 00779	640361
CUSTOMER DRAWING		SCALE	SHEET	OF
		5:1	1	1